

# 07-350L, M, S Challenge Bucket

Best: 3 w X 2.8 h  
Max: 3.5 w X 3.5 h

SIZE: REGULAR+

WARP: approx. 3% or 4%

Best: 2.6 w X 2.4 h  
Max: 2.9 w X 3 h

SIZE: MEDIUM+

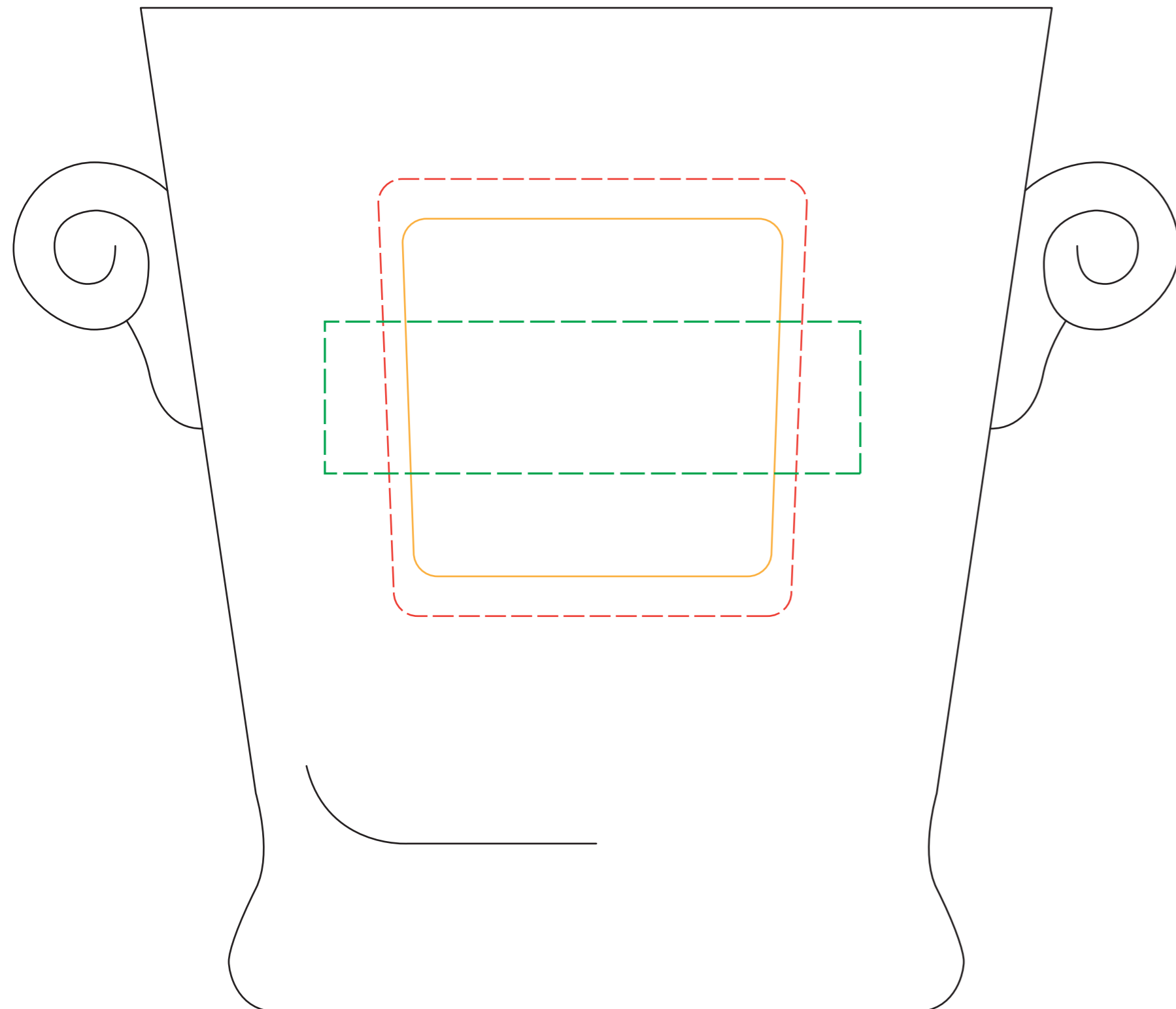
WARP: approx. 3% or 4%

Best: 2.4 w X 2.6 h  
Max: 2.125 w X 2.125 h

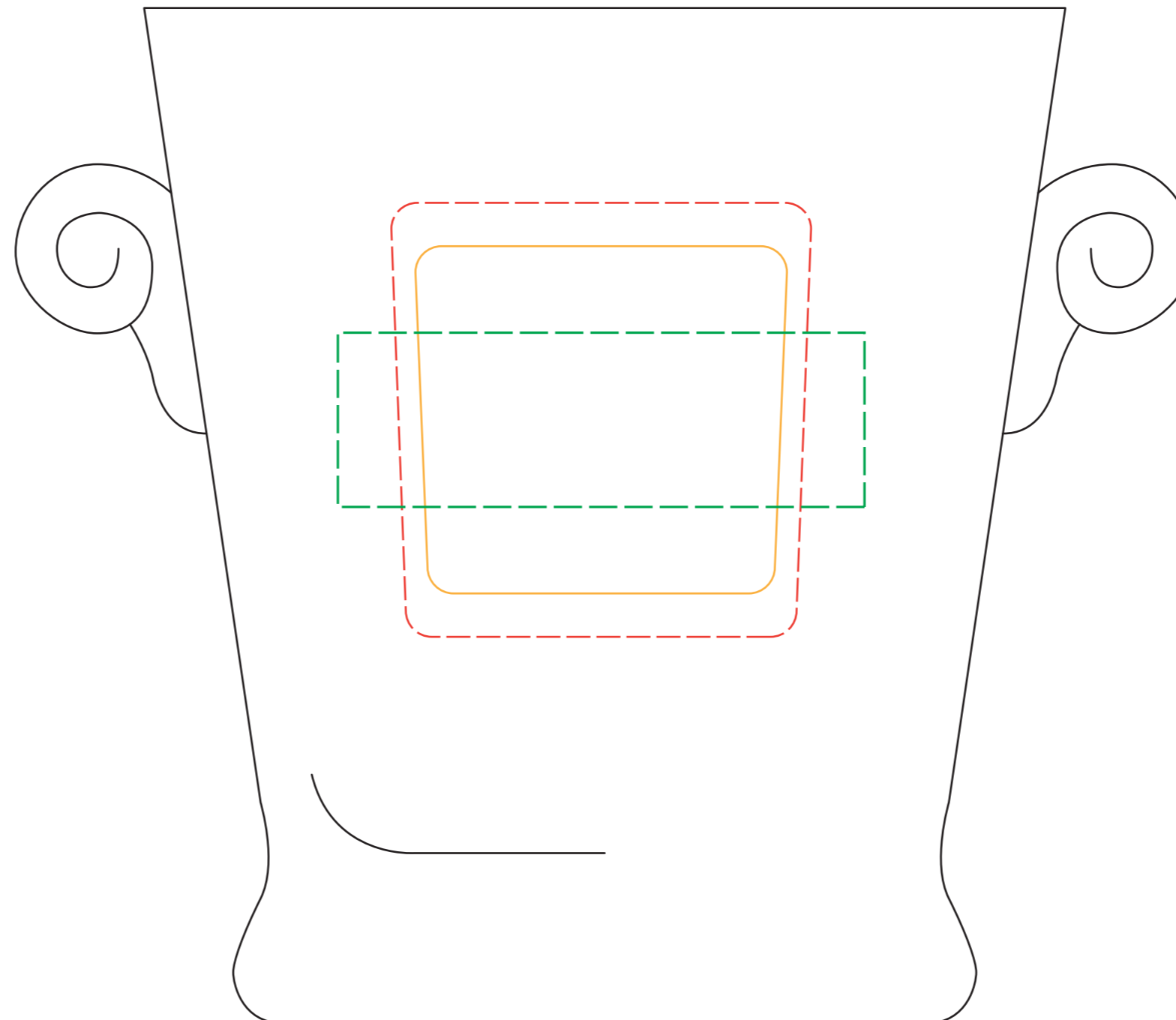
SIZE: MEDIUM

WARP: approx. 3% or 4%

07-350L Challenge Bucket  
Qty: DEEP ETCH



07-350M Challenge Bucket  
Qty: DEEP ETCH



07-350S Challenge Bucket  
Qty: DEEP ETCH

