

07-345L, M, S Chandler Trophy Cup

Best: 2.25 w X 2 h
Max: 2.625 w X 2.375 h

SIZE: REGULAR

WARP: approx. 2%

Best: 2 w X 1.75 h
Max: 2.375 w X 2 h

SIZE: MEDIUM

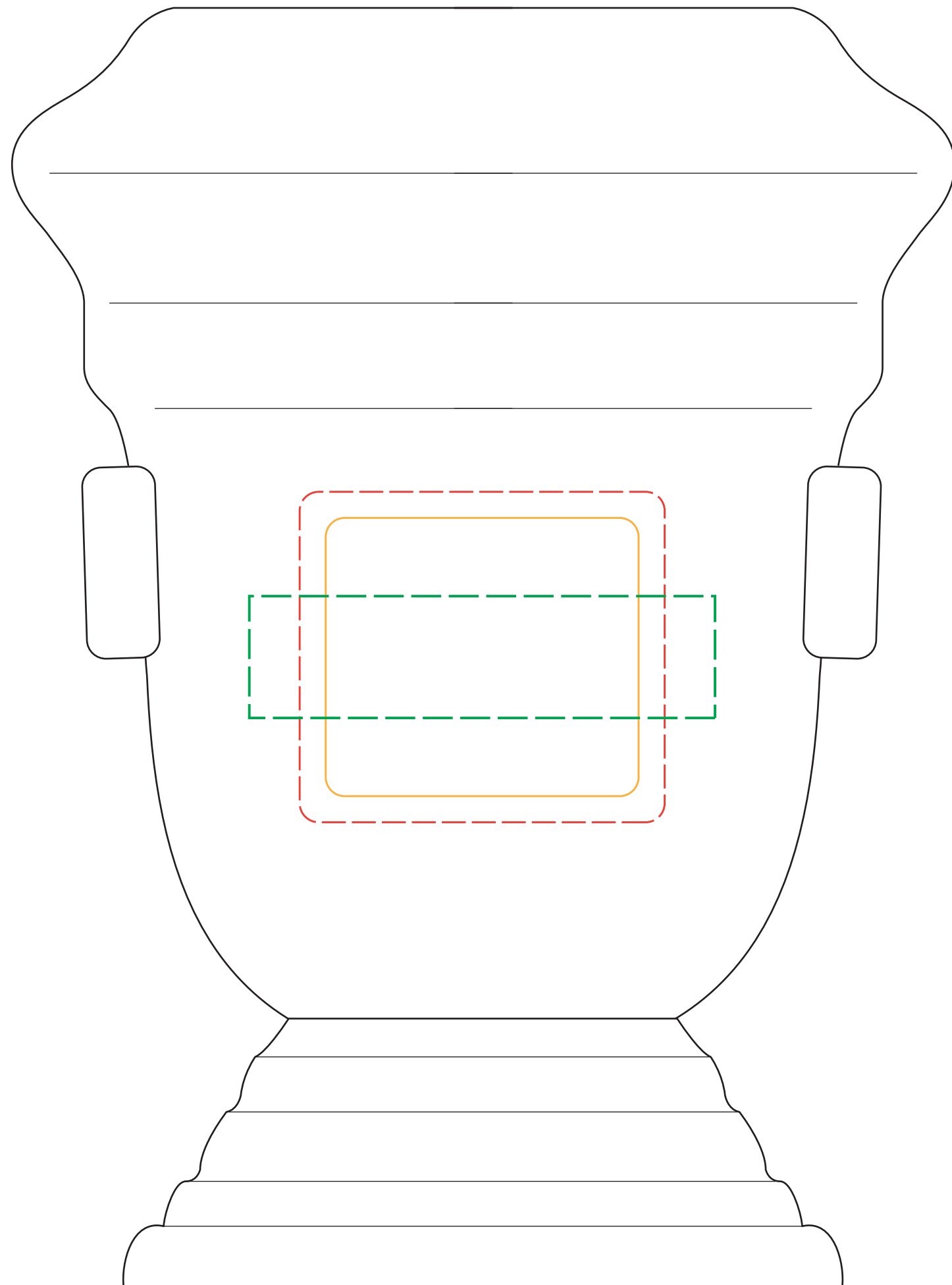
WARP: approx. 2%

Best: 1.75 w X 1.5 h
Max: 2 w X 1.75 h

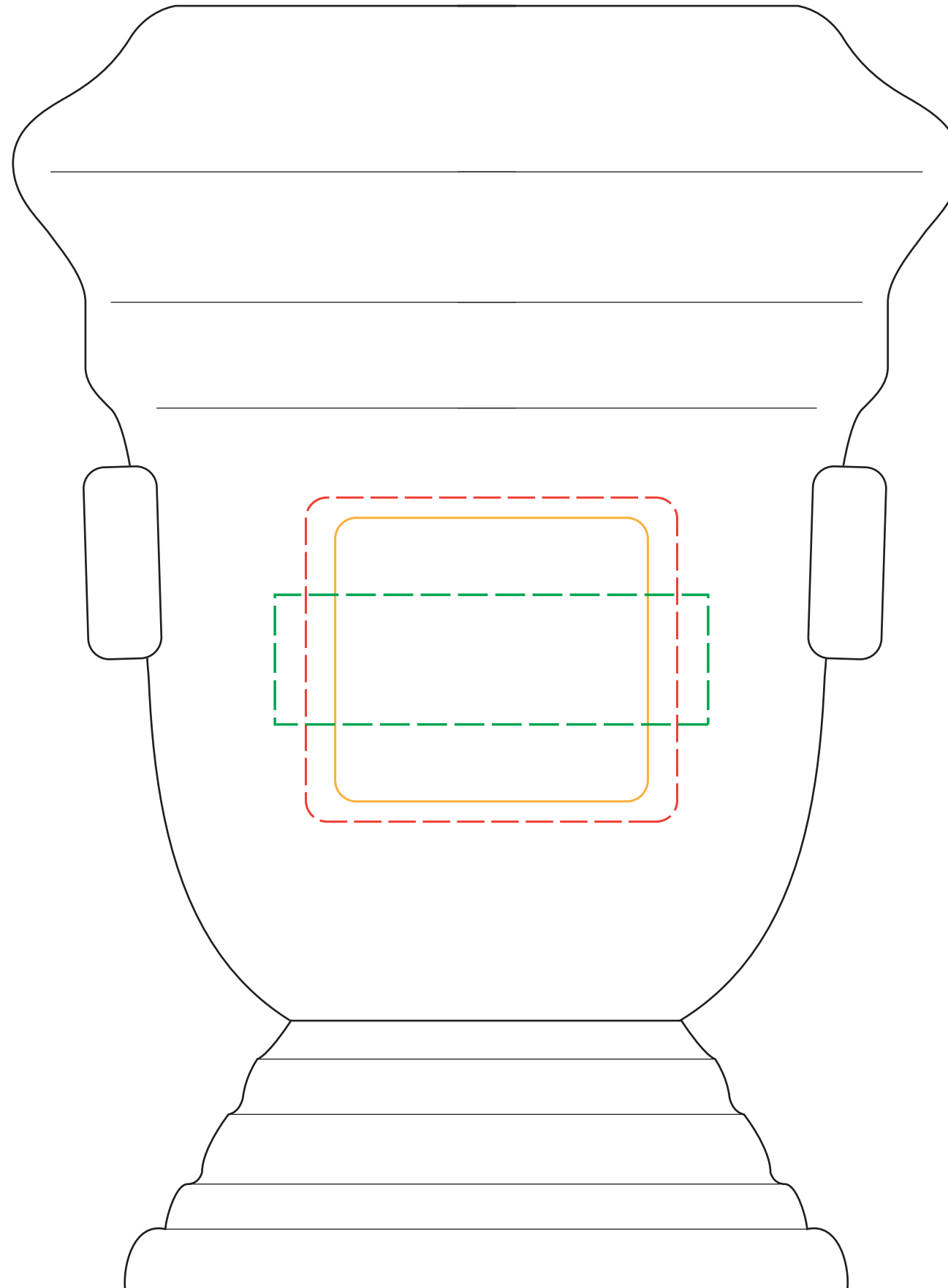
SIZE: SMALL

WARP: approx. 2%

07-345L Chandler Trophy Cup
Qty: DEEP ETCH



07-345M Chandler Trophy Cup
Qty: DEEP ETCH



07-345S Chandler Trophy Cup
Qty: DEEP ETCH

