

07-312L,S Claridge Trophy Cup

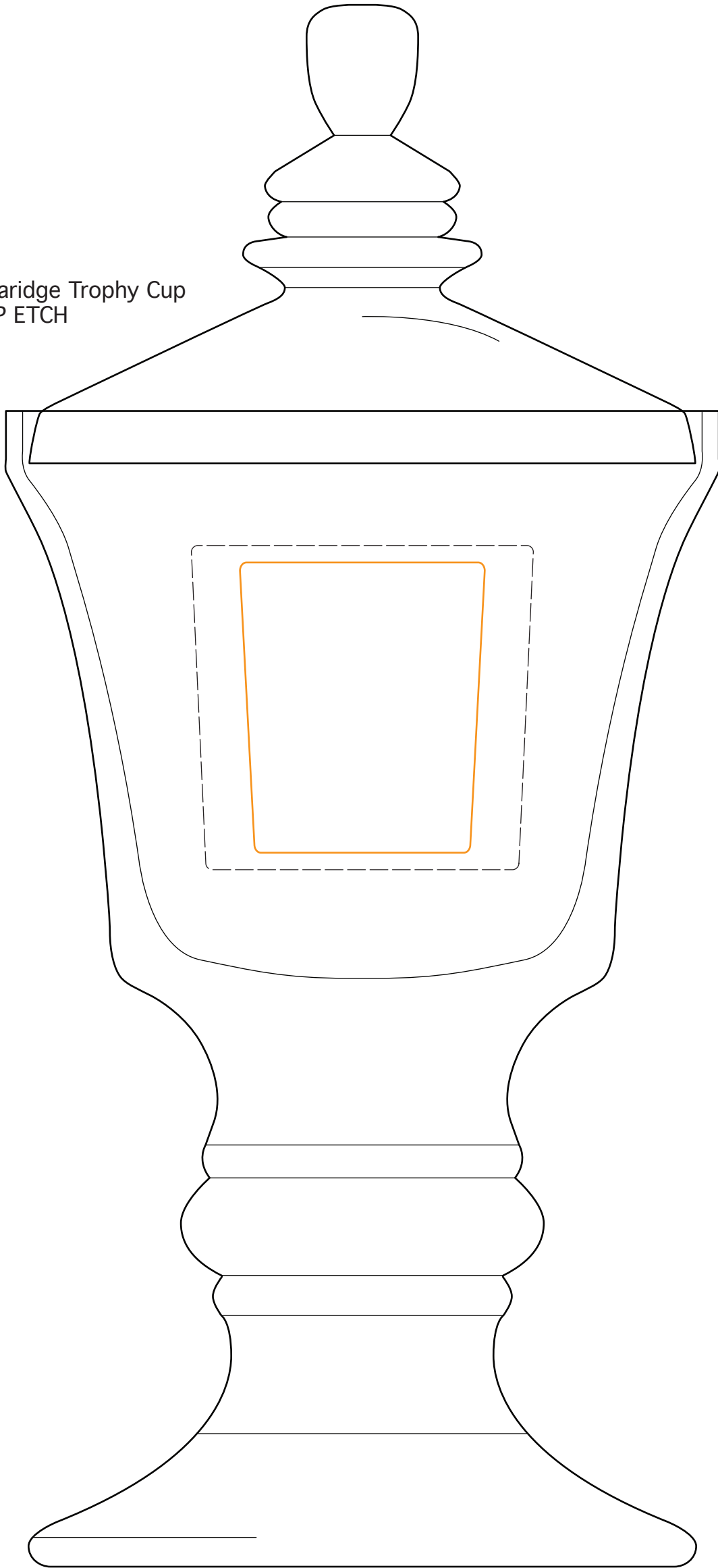
Etch as a **REGULAR**

Size / **MEDIUM**

Best: 1.75"w x 1.75"h

Suggested **Max:** 2.5"w x 2.5"h

07-312L Claridge Trophy Cup
Qty: DEEP ETCH



Etch as a **REGULAR**

Size / **SMALL**

Best: 1.5"w x 1.5"h

Suggested **Max:** 2"w x 2.25"h

07-312S Claridge Trophy Cup
Qty: DEEP ETCH

